



SWINDON BEARINGS

AUTOMOTIVE
BELTS



PIX manufacture an extensive range of Automotive Belts, which fall into the following main types:

Features & Benefits

PIX X'ceed FORCE - Multi-ribbed Belts

- | The ribs have a fibre reinforced base - compound giving higher power rating
- | Offers less vibration, absorbs shock loads. Low elongation characteristics & excellent performance under tension
- | They are extremely flexible and capable of working on small diameter pulleys & "serpentine" drives
- | Outstanding oil & heat resistance, giving long service life
- | Low noise and impressive wear performance make for minimal maintenance and quiet running engines
- | Conforms to ISO 9981, RMA IP 26 standards

Sections available:

- | PK/K. All other sections H/PH, J/PJ, L/PL & M/PM are available on request
- | Production range : 280 mm to 5080 mm

PIX X'tra FORCE - Cogged Raw Edge Belts

- | Suitable for modern high speed engines
- | High modulus and low stretch tensile cords, engineered and treated to carry higher loads without elongation
- | Fibre reinforced rubber mixture of base compound ensures better grip and lateral rigidity
- | Excellent resistance to oil and heat - cogged construction enables operation on small pulley diameters.

www.sblservices.co.uk

AUTOMOTIVE BELTS : AVX 10

Raw Edge Cogged Belts

Standard : DIN 7753

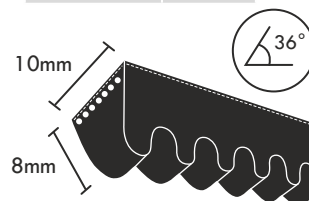
Features :

- Higher power transmission
- Antistatic
- Moulded cogs for extra flexibility
- Resistant to Oil & Heat
- Low stretch
- Smooth on high speed engines
- High power transmission on small pulley diameters

Useful Information

Manufacturing Range - 600 - 5130 mm (La)	Rec. Min Pulley Dia. - 56 (mm)
Weight per metre (Kgs) - 0.0713	

Belt Ref	Outside Length La (mm)	Belt Ref	Outside Length La (mm)	Belt Ref	Outside Length La (mm)	Belt Ref	Outside Length La (mm)	Belt Ref	Outside Length La (mm)
AVX10 0593	593	AVX10 0760	760	AVX10 0967	967	AVX10 1160	1160	AVX10 1420	1420
AVX10 0600	600	AVX10 0763	763	AVX10 0975	975	AVX10 1163	1163	AVX10 1425	1425
AVX10 0605	605	AVX10 0765	765	AVX10 0980	980	AVX10 1165	1165	AVX10 1435	1435
AVX10 0610	610	AVX10 0772	772	AVX10 0983	983	AVX10 1170	1170	AVX10 1450	1450
AVX10 0613	613	AVX10 0775	775	AVX10 0987	987	AVX10 1175	1175	AVX10 1460	1460
AVX10 0615	625	AVX10 0785	785	AVX10 0990	990	AVX10 1185	1185	AVX10 1475	1475
AVX10 0617	617	AVX10 0787	787	AVX10 0995	995	AVX10 1195	1195	AVX10 1500	1500
AVX10 0630	630	AVX10 0790	790	AVX10 1000	1000	AVX10 1200	1200	AVX10 1525	1525
AVX10 0635	635	AVX10 0800	800	AVX10 1005	1005	AVX10 1210	1210	AVX10 1550	1550
AVX10 0625	625	AVX10 0810	810	AVX10 1013	1013	AVX10 1213	1213	AVX10 1575	1575
AVX10 0637	637	AVX10 0813	813	AVX10 1015	1015	AVX10 1215	1215	AVX10 1600	1600
AVX10 0643	643	AVX10 0825	825	AVX10 1020	1020	AVX10 1220	1220	AVX10 1625	1625
AVX10 0650	650	AVX10 0835	835	AVX10 1025	1025	AVX10 1225	1225	AVX10 1650	1650
AVX10 0660	660	AVX10 0837	837	AVX10 1030	1030	AVX10 1230	1230	AVX10 1675	1675
AVX10 0663	663	AVX10 0840	840	AVX10 1035	1035	AVX10 1235	1235	AVX10 1725	1725
AVX10 0666	666	AVX10 0850	850	AVX10 1037	1037	AVX10 1237	1237	AVX10 1735	1735
AVX10 0670	670	AVX10 0858	858	AVX10 1040	1040	AVX10 1238	1238	AVX10 1750	1750
AVX10 0675	675	AVX10 0863	863	AVX10 1050	1050	AVX10 1240	1240	AVX10 1775	1775
AVX10 0680	680	AVX10 0865	865	AVX10 1055	1055	AVX10 1250	1250	AVX10 1800	1800
AVX10 0683	683	AVX10 0875	875	AVX10 1060	1060	AVX10 1275	1275	AVX10 1825	1825
AVX10 0685	685	AVX10 0887	887	AVX10 1063	1063	AVX10 1287	1287	AVX10 1850	1850
AVX10 0687	687	AVX10 0900	900	AVX10 1070	1070	AVX10 1290	1290	AVX10 1900	1900
AVX10 0690	690	AVX10 0910	910	AVX10 1075	1075	AVX10 1300	1300	AVX10 1950	1950
AVX10 0695	695	AVX10 0913	913	AVX10 1085	1085	AVX10 1310	1310	AVX10 2000	2000
AVX10 0700	700	AVX10 0920	920	AVX10 1087	1087	AVX10 1325	1325	AVX10 2250	2250
AVX10 0710	710	AVX10 0925	925	AVX10 1090	1090	AVX10 1337	1337	AVX10 2800	2800
AVX10 0713	713	AVX10 0930	930	AVX10 1100	1100	AVX10 1340	1340		
AVX10 0725	725	AVX10 0935	935	AVX10 1110	1110	AVX10 1350	1350		
AVX10 0730	730	AVX10 0937	937	AVX10 1113	1113	AVX10 1360	1360		
AVX10 0735	735	AVX10 0950	950	AVX10 1125	1125	AVX10 1375	1375		
AVX10 0737	737	AVX10 0960	960	AVX10 1135	1135	AVX10 1390	1390		
AVX10 0740	740	AVX10 0963	963	AVX10 1137	1137	AVX10 1400	1400		
AVX10 0750	750	AVX10 0965	965	AVX10 1150	1150	AVX10 1410	1410		


AUTOMOTIVE BELTS : AVX 13

Raw Edge Cogged Belts

Standard : DIN 7753

Features :

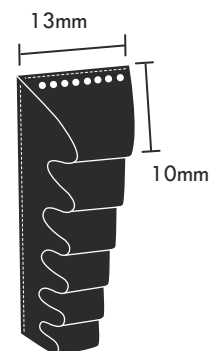
- Higher power transmission
- Antistatic
- Moulded cogs for extra flexibility
- Resistant to Oil & Heat
- Low stretch
- Smooth on high speed engines
- High power transmission on small pulley diameters

Useful Information

Manufacturing Range - 600 - 5143 mm (La)	Rec. Min Pulley Dia. - 71 (mm)
Weight per metre (Kgs) - 0.122	

Belt Ref	Outside Length La (mm)	Belt Ref	Outside Length La (mm)	Belt Ref	Outside Length La (mm)	Belt Ref	Outside Length La (mm)	Belt Ref	Outside Length La (mm)
AVX13 0600	600	AVX13 0625	625	AVX13 0687	687	AVX13 0713	713	AVX13 0750	750
AVX13 0610	610	AVX13 0650	650	AVX13 0700	700	AVX13 0725	725	AVX13 0763	763
AVX13 0613	613	AVX13 0675	675	AVX13 0710	710	AVX13 0735	735	AVX13 0775	775

Belt Ref	Outside Length La (mm)	Belt Ref	Outside Length La (mm)	Belt Ref	Outside Length La (mm)	Belt Ref	Outside Length La (mm)	Belt Ref	Outside Length La (mm)
AVX13 0780	780	AVX13 1015	1015	AVX13 1220	1220	AVX13 1495	1495	AVX13 2125	2125
AVX13 0787	787	AVX13 1025	1025	AVX13 1225	1225	AVX13 1500	1500	AVX13 2150	2150
AVX13 0790	790	AVX13 1030	1030	AVX13 1235	1235	AVX13 1525	1525	AVX13 2175	2175
AVX13 0800	800	AVX13 1037	1037	AVX13 1245	1245	AVX13 1538	1538	AVX13 2200	2200
AVX13 0810	810	AVX13 1040	1040	AVX13 1250	1250	AVX13 1545	1545	AVX13 2225	2225
AVX13 0813	813	AVX13 1050	1050	AVX13 1260	1260	AVX13 1550	1550	AVX13 2250	2250
AVX13 0815	815	AVX13 1055	1055	AVX13 1275	1275	AVX13 1562	1562	AVX13 2313	2313
AVX13 0820	820	AVX13 1060	1060	AVX13 1285	1285	AVX13 1575	1575	AVX13 2350	2350
AVX13 0825	825	AVX13 1063	1063	AVX13 1290	1290	AVX13 1600	1600	AVX13 2450	2450
AVX13 0837	837	AVX13 1065	1065	AVX13 1295	1295	AVX13 1625	1625	AVX13 2500	2500
AVX13 0840	840	AVX13 1070	1070	AVX13 1300	1300	AVX13 1637	1637	AVX13 2575	2575
AVX13 0850	850	AVX13 1075	1075	AVX13 1312	1312	AVX13 1650	1650	AVX13 2675	2675
AVX13 0865	865	AVX13 1085	1085	AVX13 1320	1320	AVX13 1675	1675		
AVX13 0875	875	AVX13 1087	1087	AVX13 1325	1325	AVX13 1700	1700		
AVX13 0887	887	AVX13 1100	1100	AVX13 1328	1328	AVX13 1725	1725		
AVX13 0890	890	AVX13 1115	1115	AVX13 1338	1338	AVX13 1750	1750		
AVX13 0900	900	AVX13 1125	1125	AVX13 1350	1350	AVX13 1775	1775		
AVX13 0915	915	AVX13 1135	1135	AVX13 1360	1360	AVX13 1825	1825		
AVX13 0925	925	AVX13 1137	1137	AVX13 1370	1370	AVX13 1850	1850		
AVX13 0940	940	AVX13 1145	1145	AVX13 1375	1375	AVX13 1875	1875		
AVX13 0950	950	AVX13 1150	1150	AVX13 1384	1384	AVX13 1880	1880		
AVX13 0960	960	AVX13 1155	1155	AVX13 1390	1390	AVX13 1900	1900		
AVX13 0963	963	AVX13 1160	1160	AVX13 1395	1395	AVX13 1925	1925		
AVX13 0965	965	AVX13 1163	1163	AVX13 1400	1400	AVX13 1950	1950		
AVX13 0968	968	AVX13 1160	1160	AVX13 1425	1425	AVX13 1980	1980		
AVX13 0975	975	AVX13 1175	1175	AVX13 1435	1435	AVX13 2000	2000		
AVX13 0987	987	AVX13 1184	1184	AVX13 1450	1450	AVX13 2025	2025		
AVX13 0990	990	AVX13 1200	1200	AVX13 1462	1462	AVX13 2030	2030		
AVX13 1000	1000	AVX13 1205	1205	AVX13 1475	1475	AVX13 2050	2050		
AVX13 1013	1013	AVX13 1215	1215	AVX13 1484	1484	AVX13 2100	2100		



AUTOMOTIVE BELTS : 3PK

Ribbed/Poly V-Belt

Standard : RMA IP 26

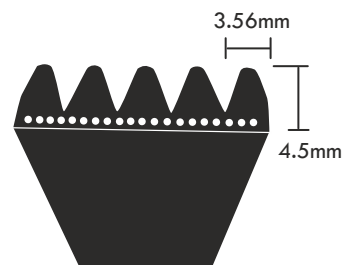
Features :

- High tensile strength
- Antistatic
- Better flexibility
- Less vibrations absorb shocks
- Low stretch
- Excellent behaviour under tension
- Capable to work on small pulley diameters
- Good wear resistance & quiet running

Useful Information

Manufacturing Range - 280 - 5080 mm (La)	Rec. Min Pulley Dia. - 50 de (mm)
Weight per metre (Kgs) - 0.0153	Max. Belt Speed m/sec - 50
Nominal Length : Effective Length Le	
'PIX' FRAS belts conforms to : II 2GD c IIB X (Test report no. IB-03-4-934)	

Belt Ref	Outside Length La (mm)	Belt Ref	Outside Length La (mm)	Belt Ref	Outside Length La (mm)
3PK 0500	500	3PK 0720	720	3PK 0887	887
3PK 0513	513	3PK 0725	725	3PK 0905	905
3PK 0537	537	3PK 0737	737	3PK 0913	913
3PK 0563	563	3PK 0750	750	3PK 0940	940
3PK 0600	600	3PK 0755	755	3PK 0945	945
3PK 0625	625	3PK 0763	763	3PK 0963	963
3PK 0650	650	3PK 0775	775	3PK 0975	975
3PK 0663	663	3PK 0787	787	3PK 1005	1005
3PK 0675	675	3PK 0800	800	3PK 1025	1025
3PK 0680	680	3PK 0813	813	3PK 1040	1040
3PK 0687	687	3PK 0825	825	3PK 1087	1087
3PK 0700	700	3PK 0837	837	3PK 1220	1220
3PK 0713	713	3PK 0850	850		
		3PK 0875	875		



AUTOMOTIVE BELTS : 4PK
Ribbed/Poly V-Belt
Standard : RMA IP 26
Features :

- High tensile strength
- Antistatic
- Better flexibility
- Less vibrations absorb shocks
- Low stretch
- Excellent behaviour under tension
- Capable to work on small pulley diameters
- Good wear resistance & quiet running

Useful Information

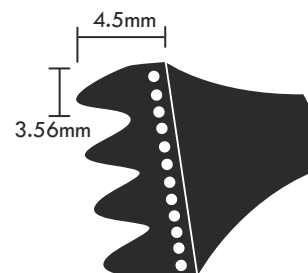
Manufacturing Range - 280 - 5080 mm (La)	Rec. Min Pulley Dia. - 50 de (mm)
Weight per metre (Kgs) - 0.0153	Max. Belt Speed m/sec - 50
Nominal Length : Effective Length Le	
PIX FRAS belts conforms to : II 2GD c IIB X (Test report no. IB-03-4-934)	

Belt Reference	Outside Length La (mm)
4PK 0545	545
4PK 0563	563
4PK 0587	587
4PK 0613	613
4PK 0637	637
4PK 0650	650
4PK 0663	663
4PK 0675	675
4PK 0687	687
4PK 0700	700
4PK 0713	713
4PK 0725	725
4PK 0730	730
4PK 0737	737
4PK 0750	750
4PK 0755	755
4PK 0763	763
4PK 0770	770
4PK 0775	775
4PK 0787	787
4PK 0800	800

Belt Reference	Outside Length La (mm)
4PK 0813	813
4PK 0825	825
4PK 0830	830
4PK 0837	837
4PK 0845	845
4PK 0850	850
4PK 0863	863
4PK 0875	875
4PK 0887	887
4PK 0900	900
4PK 0905	905
4PK 0913	913
4PK 0920	920
4PK 0925	925
4PK 0937	937
4PK 0950	950
4PK 0955	955
4PK 0963	963
4PK 0975	975
4PK 0987	987
4PK 0995	995

Belt Reference	Outside Length La (mm)
4PK 1000	1000
4PK 1013	1013
4PK 1025	1025
4PK 1037	1037
4PK 1045	1045
4PK 1050	1050
4PK 1055	1055
4PK 1063	1063
4PK 1075	1075
4PK 1087	1087
4PK 1100	1100
4PK 1113	1113
4PK 1125	1125
4PK 1163	1163
4PK 1185	1185
4PK 1213	1213
4PK 1225	1225
4PK 1237	1237
4PK 1260	1260
4PK 1270	1270
4PK 1287	1287

Belt Reference	Outside Length La (mm)
4PK 1310	1310
4PK 1325	1325
4PK 1413	1413
4PK 1437	1437
4PK 1487	1487
4PK 1520	1520
4PK 1537	1537
4PK 1713	1713
4PK 1775	1775


AUTOMOTIVE BELTS : 5PK
Ribbed/Poly V-Belts
Standard : RMA IP 26
Features :

- High tensile strength
- Antistatic
- Better flexibility
- Less vibrations absorb shocks
- Low stretch
- Excellent behaviour under tension
- Capable to work on small pulley diameters
- Good wear resistance & quiet running

Useful Information

Manufacturing Range - 280 - 5080 mm	Rec. Min Pulley Dia. - 50 de (mm)
Weight per metre (Kgs) - 0.0153	Max. Belt Speed m/sec - 50
Nominal Length : Effective Length Le	
PIX FRAS belts conforms to : II 2GD c IIB X (Test report no. IB-03-4-934)	

Belt Ref	Outside Length La (mm)
5PK 0575	575
5PK 0637	637
5PK 0650	650
5PK 0675	675
5PK 0687	687
5PK 0700	700
5PK 0713	713
5PK 0725	725
5PK 0737	737
5PK 0780	780
5PK 0787	787
5PK 0800	800

Belt Ref	Outside Length La (mm)
5PK 0810	810
5PK 0825	825
5PK 0830	830
5PK 0837	837
5PK 0850	850
5PK 0855	855
5PK 0863	863
5PK 0870	870
5PK 0875	875
5PK 0887	887
5PK 0900	900
5PK 0905	905

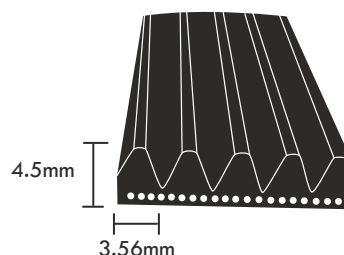
Belt Ref	Outside Length La (mm)
5PK 0913	913
5PK 0915	915
5PK 0920	920
5PK 0925	925
5PK 0935	935
5PK 0937	937
5PK 0940	940
5PK 0950	950
5PK 0963	963
5PK 0970	970
5PK 0975	975
5PK 0987	987

Belt Ref	Outside Length La (mm)
5PK 1000	1000
5PK 1013	1013
5PK 1025	1025
5PK 1037	1037
5PK 1050	1050
5PK 1063	1063
5PK 1087	1087
5PK 1100	1100
5PK 1113	1113
5PK 1125	1125
5PK 1137	1137
5PK 1150	1150

Belt Ref	Outside Length La (mm)
5PK 1163	1163
5PK 1175	1175
5PK 1187	1187
5PK 1200	1200
5PK 1213	1213
5PK 1220	1220
5PK 1223	1223
5PK 1225	1225
5PK 1230	1230
5PK 1237	1237
5PK 1250	1250
5PK 1270	1270

Belt Ref	Outside Length La (mm)
5PK 1287	1287
5PK 1300	1300
5PK 1325	1325
5PK 1330	1330
5PK 1345	1345
5PK 1350	1350
5PK 1363	1363
5PK 1375	1375
5PK 1387	1387
5PK 1425	1425
5PK 1435	1435
5PK 1450	1450

Belt Ref	Outside Length La (mm)	Belt Ref	Outside Length La (mm)	Belt Ref	Outside Length La (mm)
5PK 1500	1500	5PK 1637	1637	5PK 1887	1887
5PK 1513	1513	5PK 1687	1687	5PK 2025	2025
5PK 1550	1550	5PK 1713	1713	5PK 2063	2063
5PK 1570	1570	5PK 1725	1725		
5PK 1585	1585	5PK 1750	1750		
5PK 1587	1587	5PK 1787	1787		
5PK 1613	1613	5PK 1813	1813		



AUTOMOTIVE BELTS : 6PK

Ribbed/Poly V-Belts
Standard : RMA IP 26

Features :

- High tensile strength
- Antistatic
- Better flexibility
- Less vibrations absorb shocks
- Low stretch
- Excellent behaviour under tension
- Capable to work on small pulley diameters
- Good wear resistance & quiet running

Useful Information

Manufacturing Range - 280 - 5080 mm	Rec. Min Pulley Dia. - 50 de (mm)
Weight per metre (Kgs) - 0.0153	Max. Belt Speed m /sec - 50
Nominal Length : Effective Length Le	
'PIX' FRAS belts conforms to : II 2GD c IIB X (Test report no. IB-03-4-934)	

Belt Ref	Outside Length La (mm)	Belt Ref	Outside Length La (mm)	Belt Ref	Outside Length La (mm)	Belt Ref	Outside Length La (mm)	Belt Ref	Outside Length La (mm)	Belt Ref	Outside Length La (mm)
6PK 0680	680	6PK 0987	987	6PK 1200	1200	6PK 1537	1537	6PK 1855	1855	6PK 2240	2240
6PK 0700	700	6PK 0995	995	6PK 1215	1215	6PK 1550	1550	6PK 1863	1863	6PK 2245	2245
6PK 0720	720	6PK 1000	1000	6PK 1230	1230	6PK 1560	1560	6PK 1875	1875	6PK 2250	2250
6PK 0725	725	6PK 1013	1013	6PK 1237	1237	6PK 1563	1563	6PK 1880	1880	6PK 2263	2263
6PK 0730	730	6PK 1020	1020	6PK 1250	1250	6PK 1575	1575	6PK 1887	1887	6PK 2275	2275
6PK 0737	737	6PK 1030	1030	6PK 1270	1270	6PK 1587	1587	6PK 1900	1900	6PK 2280	2280
6PK 0745	745	6PK 1037	1037	6PK 1275	1275	6PK 1600	1600	6PK 1925	1925	6PK 2287	2287
6PK 0750	750	6PK 1040	1040	6PK 1287	1287	6PK 1613	1613	6PK 1930	1930	6PK 2300	2300
6PK 0787	787	6PK 1045	1045	6PK 1290	1290	6PK 1625	1625	6PK 1937	1937	6PK 2310	2310
6PK 0800	800	6PK 1050	1050	6PK 1310	1310	6PK 1637	1637	6PK 1950	1950	6PK 2320	2320
6PK 0815	815	6PK 1060	1060	6PK 1325	1325	6PK 1650	1650	6PK 1963	1963	6PK 2350	2350
6PK 0820	820	6PK 1063	1063	6PK 1337	1337	6PK 1663	1663	6PK 1975	1975	6PK 2375	2375
6PK 0825	825	6PK 1073	1073	6PK 1340	1340	6PK 1675	1675	6PK 1997	1997	6PK 2387	2387
6PK 0840	840	6PK 1075	1075	6PK 1350	1350	6PK 1687	1687	6PK 2000	2000	6PK 2400	2400
6PK 0850	850	6PK 1080	1080	6PK 1365	1365	6PK 1695	1695	6PK 2013	2013	6PK 2413	2413
6PK 0858	858	6PK 1085	1085	6PK 1387	1387	6PK 1700	1700	6PK 2020	2020	6PK 2440	2440
6PK 0863	863	6PK 1095	1095	6PK 1400	1400	6PK 1705	1705	6PK 2030	2030	6PK 2450	2450
6PK 0870	870	6PK 1100	1100	6PK 1413	1413	6PK 1713	1713	6PK 2037	2037	6PK 2460	2460
6PK 0875	875	6PK 1105	1105	6PK 1420	1420	6PK 1720	1720	6PK 2050	2050	6PK 2463	2463
6PK 0887	887	6PK 1113	1113	6PK 1425	1425	6PK 1725	1725	6PK 2080	2080	6PK 2475	2475
6PK 0895	895	6PK 1125	1125	6PK 1437	1437	6PK 1737	1737	6PK 2100	2100	6PK 2489	2489
6PK 0900	900	6PK 1130	1130	6PK 1450	1450	6PK 1745	1745	6PK 2113	2113	6PK 2510	2510
6PK 0905	905	6PK 1137	1137	6PK 1463	1463	6PK 1750	1750	6PK 2120	2120	6PK 2515	2515
6PK 0913	913	6PK 1145	1145	6PK 1467	1467	6PK 1763	1763	6PK 2145	2145	6PK 2525	2525
6PK 0925	925	6PK 1150	1150	6PK 1475	1475	6PK 1775	1775	6PK 2155	2155	6PK 2555	2555
6PK 0937	937	6PK 1155	1155	6PK 1487	1487	6PK 1800	1800	6PK 2163	2163	6PK 2605	2605
6PK 0945	945	6PK 1163	1163	6PK 1500	1500	6PK 1813	1813	6PK 2170	2170	6PK 2613	2613
6PK 0950	950	6PK 1175	1175	6PK 1513	1513	6PK 1830	1830	6PK 2200	2200	6PK 2625	2625
6PK 0963	963	6PK 1187	1187	6PK 1525	1525	6PK 1835	1835	6PK 2213	2213	6PK 2874	2874
6PK 0975	975	6PK 1195	1195	6PK 1530	1530	6PK 1840	1840	6PK 2225	2225		

AUTOMOTIVE BELTS : 7PK

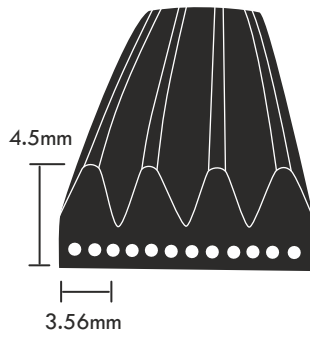
Ribbed/Poly V-Belts
Standard : RMA IP 26

Features :

- High tensile strength
- Antistatic
- Better flexibility
- Less vibrations absorb shocks
- Low stretch
- Excellent behaviour under tension
- Capable to work on small pulley diameters
- Good wear resistance & quiet running

Useful Information	
Manufacturing Range - 280 - 5080 mm	Rec. Min Pulley Dia. - 50 de (mm)
Weight per metre (Kgs) - 0.0153	Max. Belt Speed m/sec - 50
Nominal Length : Effective Length Le	
'PIX' FRAS belts conforms to : II 2GD c IIB X (Test report no. IB-03-4-934)	

Belt Ref	Outside Length La (mm)	Belt Ref	Outside Length La (mm)	Belt Ref	Outside Length La (mm)	Belt Ref	Outside Length La (mm)
7PK 0920	920	7PK 1400	1400	7PK 1765	1765	7PK 2120	2120
7PK 0925	925	7PK 1575	1575	7PK 1800	1800	7PK 2237	2237
7PK 1075	1075	7PK 1587	1587	7PK 1887	1887	7PK 2250	2250
7PK 1083	1083	7PK 1595	1595	7PK 1930	1930	7PK 2290	2290
7PK 1113	1113	7PK 1600	1600	7PK 1950	1950	7PK 2620	2620
7PK 1180	1180	7PK 1625	1625	7PK 1970	1970	7PK 2705	2705
7PK 1200	1200	7PK 1637	1637	7PK 1975	1975	7PK 2713	2713
7PK 1220	1220	7PK 1675	1675	7PK 2050	2050	7PK 2875	2875
7PK 1287	1287	7PK 1713	1713	7PK 2080	2080		
7PK 1320	1320	7PK 1730	1730	7PK 2113	2113		



AUTOMOTIVE BELTS : 8PK

Ribbed/Poly V-Belts
Standard : RMA IP 26

Features :

- High tensile strength
- Antistatic
- Better flexibility
- Less vibrations absorb shocks
- Low stretch
- Excellent behaviour under tension
- Capable to work on small pulley diameters
- Good wear resistance & quiet running

Useful Information	
Manufacturing Range - 280 - 5080 mm	Rec. Min Pulley Dia. - 50 de (mm)
Weight per metre (Kgs) - 0.0153	Max. Belt Speed m/sec - 50
Nominal Length : Effective Length Le	
'PIX' FRAS belts conforms to : II 2GD c IIB X (Test report no. IB-03-4-934)	

Belt Ref	Outside Length La (mm)	Belt Ref	Outside Length La (mm)
8PK 2187	2187	8PK 2463	2463
8PK 2337	2337	8PK 2490	2490
8PK 2437	2437		

