



SWINDON BEARINGS

BANDED  
BELTS



PIX Banded belts are manufactured in classical, wedge and narrow - V section belts with a strong tie band around the back of the belt. Banded belts are manufactured in both cut edge and wrap construction.

The band around the outside of the belts gives extra lateral rigidity to the structure, eliminating the problem of belts turning in the pulley grooves.

The band not only helps to evenly distribute the load across the belts, but also prevents twisting of belts in the pulley.

Banded belts are manufactured in HA, HB, HC, HD, HSPZ, HSPA, HSPB, HSPC, H3V, H5V and H8V sections; and they are produced to international standards ISO 5290, ISO 5291 and BS 3790.

These belts are an ideal solution in conditions where there is severe vibration, extreme shock loads, and/or pulsating loads.

Typical applications would include crushers, conveyor systems, large generator sets and compressors, vacuum pumps, agitators, and most notably combine harvesters. They will also be found in many general agricultural and industrial applications.

### Features & Benefits :

- | High stability - eliminating the possibility of belts turning over in pulleys
- | Increased power transmission in less space
- | High efficiency due to reduced slippage
- | Ideal for pulsating loads
- | Low vibration for smooth running with even the toughest drives
- | Stringent length tolerance
- | Available in wrapped or cogged raw edge construction
- | Kevlar cord belts available as an option

[www.sblservices.co.uk](http://www.sblservices.co.uk)

**BANDED BELTS : HA**

Wrapped V-Belts  
Standard : ISO 5291

Features :

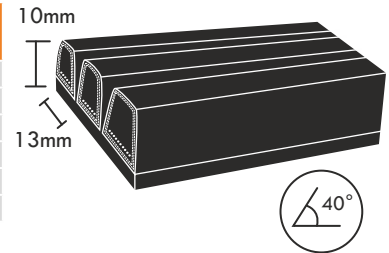
- Oil Resistant
- Antistatic
- Temperature range : -18°C to +80°C
- Recommended number of Ribs = 5 (Max)

**Useful Information**

Manufacturing Range  
- 838 - 7112 mm (Li)  
Weight per metre (Kgs)  
- 0.175

Rec. Min Pulley Dia.  
- 80 de (mm)

Belt Ref	Li (mm)	La (mm)	La (inches)	Belt Ref	Li (mm)	La (mm)	La (inches)	Belt Ref	Li (mm)	La (mm)	La (inches)
HA 47	1194	1244	49	HA 71	1803	1853	73	HA 120	3048	3098	122
HA 51	1295	1345	53	HA 75	1905	1955	77	HA 128	3251	3301	130
HA 56	1422	1472	58	HA 79	2007	2057	81	HA 144	3658	3708	146
HA 57	1448	1498	59	HA 98	2489	2539	100	HA 157	3988	4038	159
HA 59	1499	1549	61	HA 100	2540	2590	102	HA 167	4242	4292	169
HA 64	1626	1676	66	HA 104	2642	2692	106	HA 187	4750	4800	189
HA 67	1702	1752	69	HA 112	2845	2895	114				



**BANDED BELTS : HB**

Wrapped V-Belts  
Standard : ISO 5291

Features :

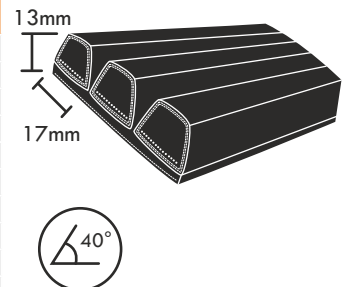
- Oil Resistant
- Antistatic
- Temperature range : -18°C to +80°C
- Recommended number of Ribs = 5 (Max)

**Useful Information**

Manufacturing Range  
- 1041 - 15951 mm (Li)  
Weight per metre (Kgs)  
- 0.272

Rec. Min Pulley Dia.  
- 130 de (mm)

Belt Ref	Li (mm)	La (mm)	La (inches)	Belt Ref	Li (mm)	La (mm)	La (inches)	Belt Ref	Li (mm)	La (mm)	La (inches)
HB 47	1194	1263	50	HB 83	2108	2177	86	HB 132	3353	3422	135
HB 51	1295	1364	54	HB 88	2235	2304	91	HB 140	3556	3625	143
HB 55	1397	1466	58	HB 91	2311	2380	94	HB 146	3708	3777	149
HB 59	1499	1568	62	HB 94.5	2400	2469	97	HB 148	3759	3828	151
HB 61	1549	1618	64	HB 96	2438	2507	98.7	HB 158	4013	4082	161
HB 63	1600	1669	66	HB 98	2489	2558	101	HB 167	4242	4311	170
HB 64	1626	1695	67	HB 102	2591	2660	105	HB 177	4496	4565	180
HB 67	1702	1771	70	HB 106	2692	2761	109	HB 187	4750	4819	190
HB 71	1803	1872	74	HB 112	2845	2914	115	HB 197	5004	5073	200
HB 73	1854	1923	76	HB 118	2997	3066	121	HB 208	5283	5352	211
HB 75	1905	1974	78	HB 120	3048	3117	123	HB 220	5588	5657	223
HB 79	2007	2076	82	HB 128	3251	3320	131				



**BANDED BELTS : HC**

Wrapped V-Belts  
Standard : ISO 5291

Features :

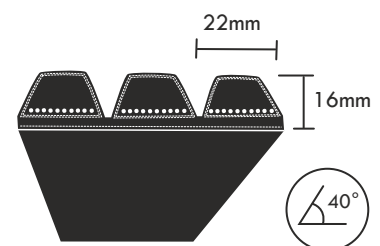
- Oil Resistant
- Antistatic
- Temperature range : -18°C to +80°C
- Recommended number of Ribs = 5 (Max)

**Useful Information**

Manufacturing Range  
- 1168 - 16713 mm (Li)  
Weight per metre (Kgs)  
- 0.431

Rec. Min Pulley Dia.  
- 210 de (mm)

Belt Ref	Li (mm)	La (mm)	La (inches)	Belt Ref	Li (mm)	La (mm)	La (inches)	Belt Ref	Li (mm)	La (mm)	La (inches)
HC 90	2286	2374	93	HC 151	4496	3923	154	HC 236	3708	6082	239
HC 98	2489	2577	101	HC 167	4750	4330	170	HC 248	3835	6387	251
HC 108	2743	2831	111	HC 177	5004	4584	180	HC 144	3658	3708	146
HC 120	3048	3136	123	HC 187	5283	4838	190	HC 152	3861	3949	155.5
HC 128	3251	3339	131	HC 197	5588	5092	200	HC 157	3988	4038	159
HC 140	3556	3644	143	HC 208	5994	5371	211	HC 167	4242	4292	169
HC 146	4242	3796	149	HC 220	6299	5676	223	HC 187	4750	4800	189



**BANDED BELTS : HD**

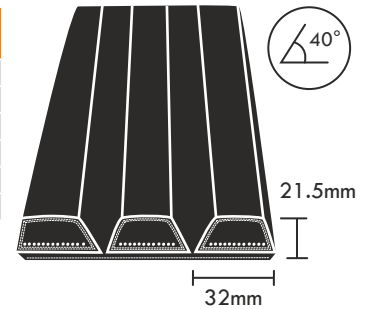
Wrapped V-Belts  
Standard : ISO 5291

- Features :
- Oil Resistant
  - Antistatic
  - Temperature range : -18°C to +80°C
  - Recommended number of Ribs = 5 (Max)

**Useful Information**

Manufacturing Range - 2286 - 16713 mm (Li)  
Weight per metre (Kgs) - 0.835  
Rec. Min Pulley Dia. - 370 de (mm)

Belt Ref	Li (mm)	La (mm)	La (inches)	Belt Ref	Li (mm)	La (mm)	La (inches)	Belt Ref	Li (mm)	La (mm)	La (inches)
HD 90	2286	2405	95	HD 180	4572	4691	185	HD 300	7620	7739	305
HD 110	2794	2913	115	HD 195	4953	5072	200	HD 315	8001	8120	320
HD 120	3048	3167	125	HD 210	5334	5453	215	HD 330	8382	8501	335
HD 128	3251	3370	133	HD 225	5715	5834	230	HD 345	8763	8882	350
HD 144	3658	3777	149	HD 240	6096	6215	245	HD 360	9144	9263	365
HD 158	4013	4132	163	HD 255	6477	6596	260	HD 390	9906	10025	395
HD 162	4115	4234	167	HD 270	6858	6977	275				
HD 173	4394	4513	178	HD 285	7239	7358	290				



**BANDED BELTS : HSPA**

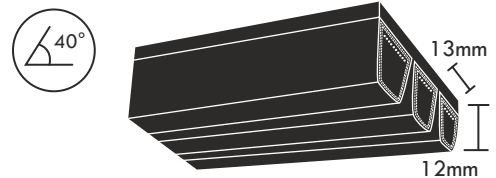
Wrapped V-Belts, Standard : BS 3790

- Features :
- Oil Resistant
  - Antistatic
  - Temperature range : -18°C to +80°C
  - Maximum belt speed up to 42 m/sec
  - Recommended number of Ribs = 5 (Max)

**Useful Information**

Manufacturing Range - 914 - 5000 mm (Lp)  
Weight per metre (Kgs) - 0.214  
Rec. Min Pulley Dia. - 100 dp (mm)

Belt Ref	Lp (mm)
HSPA 1900	1900
HSPA 2240	2240
HSPA 2360	2360



**BANDED BELTS : HSPB**

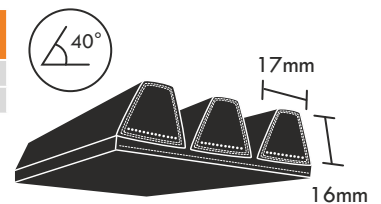
Wrapped V-Belts, Standard : BS 3790

- Features :
- Oil Resistant
  - Antistatic
  - Temperature range : -18°C to +80°C
  - Maximum belt speed up to 42 m/sec
  - Recommended number of Ribs = 5 (Max)

**Useful Information**

Manufacturing Range - 1778 - 9144 mm (Lp)  
Weight per metre (Kgs) - 0.275  
Rec. Min Pulley Dia. - 160 dp (mm)

Belt Ref	Lp (mm)	Belt Ref	Lp (mm)	Belt Ref	Lp (mm)	Belt Ref	Lp (mm)	Belt Ref	Lp (mm)
HSPB 2000	2000	HSPB 2800	2800	HSPB 4000	4000	HSPB 5300	5300	HSPB 7500	7500
HSPB 2120	2120	HSPB 3000	3000	HSPB 4250	4250	HSPB 5600	5600	HSPB 8000	8000
HSPB 2240	2240	HSPB 3150	3150	HSPB 4500	4500	HSPB 6000	6000		
HSPB 2360	2360	HSPB 3350	3350	HSPB 4750	4750	HSPB 6300	6300		
HSPB 2500	2500	HSPB 3550	3550	HSPB 4820	4820	HSPB 6700	6700		
HSPB 2650	2650	HSPB 3750	3750	HSPB 5000	5000	HSPB 7100	7100		



**BANDED BELTS : HSPC**

Wrapped V-Belts, Standard : BS 3790

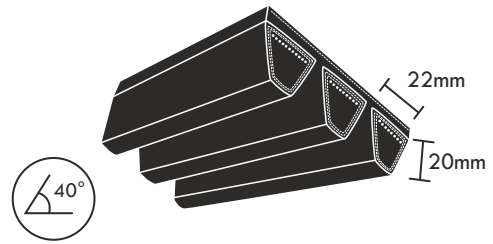
Features :

- Oil Resistant
- Antistatic
- Temperature range : -18°C to +80°C
- Maximum belt speed up to 42 m/sec
- Recommended number of Ribs = 5 (Max)

**Useful Information**

Manufacturing Range - 2235 - 1688 mm (Lp)	Rec. Min Pulley Dia. - 224 dp (mm)
Weight per metre (Kgs) - 0.485	

Belt Ref	Lp (mm)	Belt Ref	Lp (mm)	Belt Ref	Lp (mm)	Belt Ref	Lp (mm)
HSPC 3000	3000	HSPC 4500	4500	HSPC 6700	6700	HSPC 10000	10000
HSPC 3150	3150	HSPC 4750	4750	HSPC 7100	7100	HSPC 10600	10600
HSPC 3350	3350	HSPC 5000	5000	HSPC 7500	7500	HSPC 11200	11200
HSPC 3550	3550	HSPC 5300	5300	HSPC 8000	8000	HSPC 11800	11800
HSPC 3750	3750	HSPC 5600	5600	HSPC 8500	8500	HSPC 12500	12500
HSPC 4000	4000	HSPC 6000	6000	HSPC 9000	9000		
HSPC 4250	4250	HSPC 6300	6300	HSPC 9500	9500		



**BANDED BELTS : H3V**

Wrapped V-Belts, Standard : ISO 5290

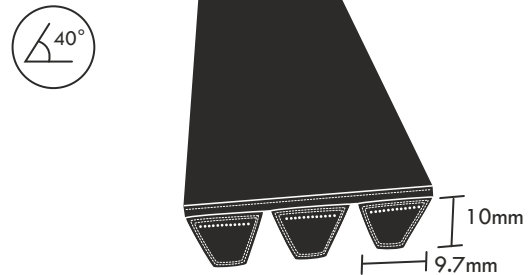
Features :

- Oil Resistant
- Antistatic
- Temperature range : -18°C to +80°C
- Maximum belt speed up to 42 m/sec
- Recommended number of Ribs = 5 (Max)

**Useful Information**

Manufacturing Range - 901 - 4521mm (La)	Rec. Min Pulley Dia. - 67 de (mm)
Weight per metre (Kgs) - 0.106	

Belt Ref	Lp (mm)	Belt Ref	Lp (mm)	Belt Ref	Lp (mm)
H3V 500 9J	1270	H3V 710 9J	1803	H3V 1000 9J	2540
H3V 530 9J	1346	H3V 750 9J	1905	H3V 1060 9J	2692
H3V 560 9J	1422	H3V 800 9J	2032	H3V 1120 9J	2845
H3V 600 9J	1524	H3V 850 9J	2159	H3V 1180 9J	2997
H3V 630 9J	1600	H3V 900 9J	2286	H3V 1250 9J	3175
H3V 670 9J	1702	H3V 950 9J	2413	H3V 1320 9J	3353
				H3V 1400 9J	3556



**BANDED BELTS : H5V**

Wrapped V-Belts, Standard : ISO 5290

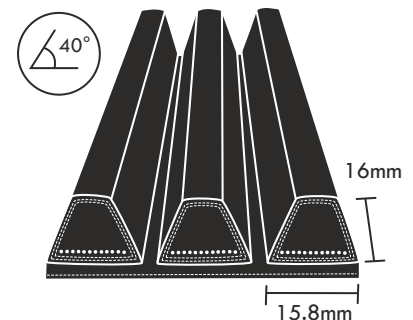
Features :

- Oil Resistant
- Antistatic
- Temperature range : -18°C to +80°C
- Maximum belt speed up to 42 m/sec
- Recommended number of Ribs = 5 (Max)

**Useful Information**

Manufacturing Range - 1219 - 16764 mm (La)	Rec. Min Pulley Dia. - 180 de (mm)
Weight per metre (Kgs) - 0.258	

Belt Ref	Lp (mm)	Belt Ref	Lp (mm)	Belt Ref	Lp (mm)	Belt Ref	Lp (mm)
H5V 500 15J	1270	H5V 850 15J	2159	H5V 1400 15J	3556	H5V 2360 15J	5994
H5V 530 15J	1346	H5V 900 15J	2286	H5V 1500 15J	3810	H5V 2500 15J	6350
H5V 560 15J	1422	H5V 950 15J	2413	H5V 1600 15J	4064	H5V 2650 15J	6731
H5V 600 15J	1524	H5V 1000 15J	2540	H5V 1700 15J	4318	H5V 2800 15J	7112
H5V 630 15J	1600	H5V 1060 15J	2692	H5V 1800 15J	4572	H5V 3000 15J	7620
H5V 670 15J	1702	H5V 1120 15J	2845	H5V 1900 15J	4826	H5V 3150 15J	8001
H5V 710 15J	1803	H5V 1180 15J	2997	H5V 2000 15J	5080	H5V 3350 15J	8509
H5V 750 15J	1905	H5V 1250 15J	3175	H5V 2120 15J	5385	H5V 3550 15J	9017
H5V 800 15J	2032	H5V 1320 15J	3353	H5V 2240 15J	5690		



**BANDED BELTS : H8V**

Wrapped V-Belts, Standard : ISO 5290

Features :

- Oil Resistant
- Antistatic
- Temperature range : -18°C to +80°C
- Maximum belt speed up to 42 m/sec
- Recommended number of Ribs = 5 (Max)

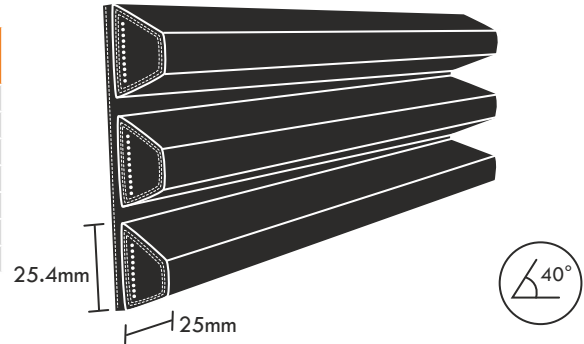
**Useful Information**

 Manufacturing Range  
 - 2489 - 16865 mm (La)

 Rec. Min Pulley Dia.  
 - 315 de (mm)

 Weight per metre (Kgs)  
 - 0.669

Belt Ref	Lp (mm)	Belt Ref	Lp (mm)	Belt Ref	Lp (mm)
H8V 1000 25J	2540	H8V 2360 25J	5994	H8V 4000 25J	10160
H8V 1060 25J	2692	H8V 2500 25J	6350	H8V 4250 25J	10795
H8V 1120 25J	2845	H8V 2650 25J	6731	H8V 4500 25J	11430
H8V 1180 25J	2997	H8V 2800 25J	7112	H8V 4750 25J	12065
H8V 1250 25J	3175	H8V 3000 25J	7620	H8V 5000 25J	12700
H8V 1320 25J	3353	H8V 3150 25J	8000	H8V 5250 25J	13335
H8V 1400 25J	3556	H8V 3350 25J	8509	H8V 5500 25J	13970
H8V 2120 25J	5385	H8V 3550 25J	9017		
H8V 2240 25J	5690	H8V 3750 25J	9525		


**BANDED BELTS : AUTOMOTIVE**

Standard : DIN 7753

Features :

- Higher power transmission
- Antistatic
- Moulded cogs for extra flexibility
- Resistant to Oil & Heat
- Low stretch
- Smooth on high speed engines
- High power transmission on small pulley diameters

**Useful Information**

 Manufacturing Range  
 - 600 - 5080 mm (Lp)

 Rec. Min Pulley Dia.  
 - 71 de (mm)

 Weight per metre (Kgs)  
 - 0.122

Belt Ref	Lp (mm)	Belt Ref	Lp (mm)
HAVX10 1500	1482	HAVX13 1075	1057
HAVX10 1550	1532	HAVX13 1475	1457
HAVX13 1025	1007		

**RAWEDGE MOULDED COGGED BANDED BELTS**

Section	Dimensions		Angle (Deg)	Pitch (mm)	Manufacturing Range		
	Top width (mm)	Thickness (mm)			Min	Max	Length Designation
HAX	13.0	10.0	36	15.9	23.5'	200'	Li
HBX	17.0	13.0	36	19.0	23.5'	200'	Li
HCX	22.0	16.0	36	25.5	23.5'	200'	Li
HXPZ	10.0	10.0	36	12.0	600mm	5080mm	Lp
HXPA	13.0	12.0	36	15.0	600mm	5080mm	Lp
HXPB	17.0	16.0	36	19.0	600mm	5080mm	Lp
HXPC	22.0	20.0	36	25.5	600mm	5080mm	Lp
H3VX	9.7	10.0	36	10.3	23.5'	200'	La
H5VX	15.8	16.0	36	10.3	23.5'	200'	La
HAVX-10	10.0	8.0	36	12.6	600mm	5080mm	La
HAVX-13	13.0	10.0	36	16.0	600mm	5080mm	La

FOR TECHNICAL INFORMATION, PLEASE REFER TO V-BELT TECHNICAL AND DRIVE DESIGN SECTION.